



# Juno<sup>®</sup> Step Motor Control IC

## DK74113N Developer Kit User Manual

---



## **NOTICE**

This document contains proprietary and confidential information of Performance Motion Devices, Inc., and is protected by federal copyright law. The contents of this document may not be disclosed to third parties, translated, copied, or duplicated in any form, in whole or in part, without the express written permission of Performance Motion Devices, Inc.

The information contained in this document is subject to change without notice. No part of this document may be reproduced or transmitted in any form, by any means, electronic or mechanical, for any purpose, without the express written permission of Performance Motion Devices, Inc.

Copyright 1998–2018 by Performance Motion Devices, Inc.

Juno, ATLAS, Magellan, ION, Prodigy, Pro-Motion, C-Motion, and VB-Motion are registered trademarks of Performance Motion Devices, Inc.

---

## Warranty

Performance Motion Devices, Inc. warrants that its products shall substantially comply with the specifications applicable at the time of sale, provided that this warranty does not extend to any use of any Performance Motion Devices, Inc. product in an Unauthorized Application (as defined below). Except as specifically provided in this paragraph, each Performance Motion Devices, Inc. product is provided “as is” and without warranty of any type, including without limitation implied warranties of merchantability and fitness for any particular purpose.

Performance Motion Devices, Inc. reserves the right to modify its products, and to discontinue any product or service, without notice and advises customers to obtain the latest version of relevant information (including without limitation product specifications) before placing orders to verify the performance capabilities of the products being purchased. All products are sold subject to the terms and conditions of sale supplied at the time of order acknowledgment, including those pertaining to warranty, patent infringement and limitation of liability.

## Unauthorized Applications

Performance Motion Devices, Inc. products are not designed, approved or warranted for use in any application where failure of the Performance Motion Devices, Inc. product could result in death, personal injury or significant property or environmental damage (each, an “Unauthorized Application”). By way of example and not limitation, a life support system, an aircraft control system and a motor vehicle control system would all be considered “Unauthorized Applications” and use of a Performance Motion Devices, Inc. product in such a system would not be warranted or approved by Performance Motion Devices, Inc.

By using any Performance Motion Devices, Inc. product in connection with an Unauthorized Application, the customer agrees to defend, indemnify and hold harmless Performance Motion Devices, Inc., its officers, directors, employees and agents, from and against any and all claims, losses, liabilities, damages, costs and expenses, including without limitation reasonable attorneys’ fees, (collectively, “Damages”) arising out of or relating to such use, including without limitation any Damages arising out of the failure of the Performance Motion Devices, Inc. product to conform to specifications.

In order to minimize risks associated with the customer’s applications, adequate design and operating safeguards must be provided by the customer to minimize inherent procedural hazards.

## Disclaimer

Performance Motion Devices, Inc. assumes no liability for applications assistance or customer product design. Performance Motion Devices, Inc. does not warrant or represent that any license, either express or implied, is granted under any patent right, copyright, mask work right, or other intellectual property right of Performance Motion Devices, Inc. covering or relating to any combination, machine, or process in which such products or services might be or are used. Performance Motion Devices, Inc.’s publication of information regarding any third party’s products or services does not constitute Performance Motion Devices, Inc.’s approval, warranty or endorsement thereof.

---

## Related Documents

### **Juno Step Motor Control IC User Guide**

Complete description of the MC74113, MC74113N, MC75113 and MC75113N step motor control ICs including electrical characteristics, pin descriptions, and theory of operations.

### **Pro-Motion User Guide**

User guide to Pro-Motion, the easy-to-use motion system development tool and performance optimizer. Pro-Motion is a sophisticated, easy-to-use program which allows all motion parameters to be set and/or viewed, and allows all features to be exercised.

### **Juno Velocity & Torque Control IC User Guide**

Complete description of all members of the Juno Velocity & Torque Control IC family including the MC71112, MC71112N, MC73112, MC73112N, MC74113, MC74113N, MC75113, MC75113N, MC71113, MC73113, and MC78113 ICs. Includes features and functions with detailed theory of operations.

### **Juno Velocity & Torque Control IC Programming Reference**

Description of all Juno family IC commands, with coding syntax and examples, listed alphabetically for quick reference.

# Table of Contents

---

<b>1. Installation</b>	<b>9</b>
1.1 Introduction	9
1.2 Developer Kit Components List	9
1.3 DK74113N Card	10
1.4 Included Hardware Accessories	10
1.5 Installation Overview	10
1.6 Recommended Hardware	11
1.7 Software Installation	11
1.8 Card Installation	12
1.9 Connection Summary	13
1.10 Applying Power	14
1.11 First-Time System Verification	14
1.12 Pulse & Direction Operation	19
<b>2. Operation</b>	<b>21</b>
2.1 DK74113N Card Block Diagram	21
2.2 Communication Port	22
2.3 Switching Motor Amplifier	22
2.4 Drive Protection and Control Signals	24
2.5 DC Bus	25
2.6 Miscellaneous Signal Processing	26
2.7 Pulse, Direction, & AtRest	27
2.8 Enable & FaultOut	27
2.9 On-IC NVRAM Configuration Storage	28
<b>3. Electrical Reference</b>	<b>29</b>
3.1 Connectors	29
3.2 Absolute Maximum Ratings	31
3.3 Environmental and Electrical Ratings	31
3.4 DK74113N Control Settings Quick Reference	31

This page intentionally left blank.

# List of Figures

---

1-1	DK74113N Card Components Location .....	12
1-2	Step Motor Connection Overview .....	13
1-3	PC to DK74113N .....	14
1-4	Pulse & Direction Amplifier Connections .....	19
2-1	DK74113N Block Diagram .....	21
2-2	Two-Phase Step Motor Bridge Configuration .....	22
2-3	DC Bus Monitoring Circuitry .....	25
2-4	Main Encoder Input Circuits .....	27
2-5	Pulse, Direction, & AtRest .....	27
2-6	Enable Input Circuit .....	28
2-7	FaultOut Circuit .....	28
3-1	DK74113N Card Component Location .....	29

This page intentionally left blank.



# 1. Installation

## In This Chapter

- ▶ Introduction
- ▶ Developer Kit Components List
- ▶ DK74113N Card
- ▶ Included Hardware Accessories
- ▶ Installation Overview
- ▶ Recommended Hardware
- ▶ Software Installation
- ▶ Card Installation
- ▶ Connection Summary
- ▶ Applying Power
- ▶ First-Time System Verification
- ▶ Pulse & Direction Operation

## 1.1 Introduction

The PMD Corp. DK74113N Developer Kit is an integrated board/software package that serves as an electrical and software design tool for building systems that use the Juno 56-pin VQFN step motor control ICs.

The developer kit supports two ICs in the Juno step motor family, as shown below:

Developer Kit p/n	Installed IC	Motors Supported
DK74113N	MC74113N	Step motor with encoder
DK75113N	MC75113N	Step motor

Both of the above Developer Kit versions share the same physical DK74113N card as well as the same software USB memory stick. They differ in the specific type of Juno step motor control IC that is installed in the card.

## 1.2 Developer Kit Components List

The DK74113N Developer Kit contains the following components:

- DK74113N Developer Kit card
- 3-pin programming cable
- Magellan SDK USB stick containing Pro-Motion, C-Motion, and documentation in PDF format

If any of these components are missing, please contact your PMD Corp. representative.

## 1.3 DK74113N Card

The heart of the DK74113N Developer Kit is the DK74113N printed circuit board that contains interface and amplifier circuitry to allow various features of the MC74113N and MC75113N ICs to be accessed. Here is a summary of the features provided by the DK74113N card:

- High performance on-card amplifier with current feedback
- 3-pin UART host communications interface
- Single DC-voltage supply
- Quadrature signal input with Index capture (with MC74113N installed only)
- Overtemperature, overcurrent, over and undervoltage sense
- Pulse & Direction input with AtRest signal
- Compact (2.4" x 1.8") standalone form factor (6.1 cm x 4.5 cm)

### 1.3.1 Pro-Motion

Pro-Motion is a sophisticated, easy-to-use exerciser program that is included with the DK74113N. It allows all of the Juno control parameters to be set and/or viewed, and allows all features to be exercised. Pro-Motion features include:

- Motion oscilloscope graphically displays processor parameters in real-time
- AxisWizard to automate axis setup and configuration
- Current loop auto-tuning
- Project window for accessing motion resources and connections
- Ability to save and load settings
- Distance, time, and electrical units conversion
- Frequency sweep and bode plot analysis tools
- Motor-specific parameter setup

Pro-Motion is described in the *Pro-Motion User Guide*.

## 1.4 Included Hardware Accessories

The DK74113N includes these accessories that you may find useful:

Component PMD Corp. Part Number	Description
Cable-USB-3P	3-pin cable. This programming cable provides a USB connection to a PC and plugs into the DK card's 3-pin programming connector.

## 1.5 Installation Overview

- 1 Before using the card, the software must be installed. See [Section 1.7, "Software Installation"](#) for instructions on installing the software.

- 2 Next, connect the motor and optional encoder. See [Section 1.9, “Connection Summary”](#) for a description of the connections.
- 3 Connect the DK74113N card to the host PC via the 3-pin cable. See [Section 1.9.3, “Communication Connection”](#) for a description of this procedure.
- 4 Once this hardware configuration is complete, the final step to finish the installation is to perform a functional test of the finished system. See [Section 1.11, “First-Time System Verification”](#) for a description of this procedure.

Once these steps have been accomplished, the installation is complete, and the card is ready for operation.

## 1.6 Recommended Hardware

To install a DK74113N card the following hardware is recommended.

- Intel (or compatible) processor, 1 Gbyte of available disk space, 256 MB of available RAM, and a CD-ROM drive. The supported PC operating systems are Windows XP, Vista, Windows 7, Windows 8, Windows 10.
- One step motor. This motor may or may not provide encoder position feedback signals. Encoder feedback is not available with MC75113N ICs.
- Cables as required to connect to the motor and the DK74113N card.
- Power supply, power cable.
- The DK74113N card requires only a single voltage supply. The card logic and other circuitry is powered from this input voltage using an on-card DC to DC converter.

## 1.7 Software Installation

A provided USB flash drive comprises the software distribution for the MC74113N developer kit. All software applications are designed to work with Microsoft Windows.

To install the software:

- 1 Insert the PMD Corp. USB stick into your computer.
- 2 Select and execute the Pro-MotionSetupxxx.exe program to install Pro-Motion.
- 3 Follow the on-screen prompts to complete the installation process.
- 4 To install the optional SDK select and execute the PMDSDKxxx.exe program.

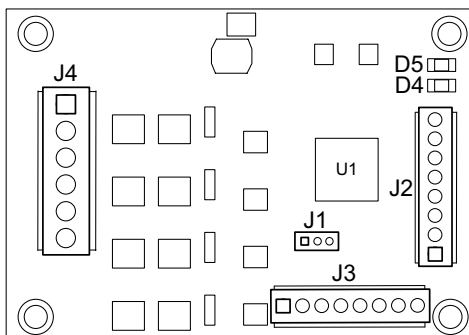
Upon completion of the installation process for Pro-Motion and the SDK, the following components will be installed:

- PMD Corp. SDK – a software development kit for creating motion applications using the C/C++ programming languages.
- Pro-Motion – an application for communicating to, and exercising the motion control IC. Refer to the *Pro-Motion User Guide* for operating instructions.
- PDF versions of all Juno family user guides. Adobe Acrobat Reader is required for viewing these files. If the Adobe Acrobat Reader is not installed on your computer, it may be freely downloaded from <http://www.adobe.com>.

## 1.8 Card Installation

Figure 1-1 shows the location of various DK74113N components.

**Figure 1-1:**  
DK74113N  
Card  
Components  
Location



The following table describes these components:

Label	Description
J4	HV Power & Motor Connector
J3	Feedback Connector
J2	Amplifier Signal Connector
J1	3-Pin Programming Connector
D4, D5	Fault and power LED indicators (respectively)

### 1.8.1 Enabling the Card

The DK74113N requires an active Enable signal to operate. To accomplish this the Amplifier Signal Connector (J2) is used. Connect terminal #8 of J2 (indicated on the card as ~EN) to terminal #6 of J2 (indicated on the card as GND) using a short wire.

For reference the following table provides the pinouts of the J2 terminal block connector:

Pin	Signal	Description
<b>J2 - Amplifier Signal Connector</b>		
1	Vcc	+5V output
2	GND	Ground
3	AtRest	AtRest input signal
4	Direction	Direction input signal
5	Pulse	Pulse input signal
6	GND	Ground
7	FaultOut	Active high digital FaultOut output signal
8	Enable	Active low Enable digital input signal

## 1.9 Connection Summary

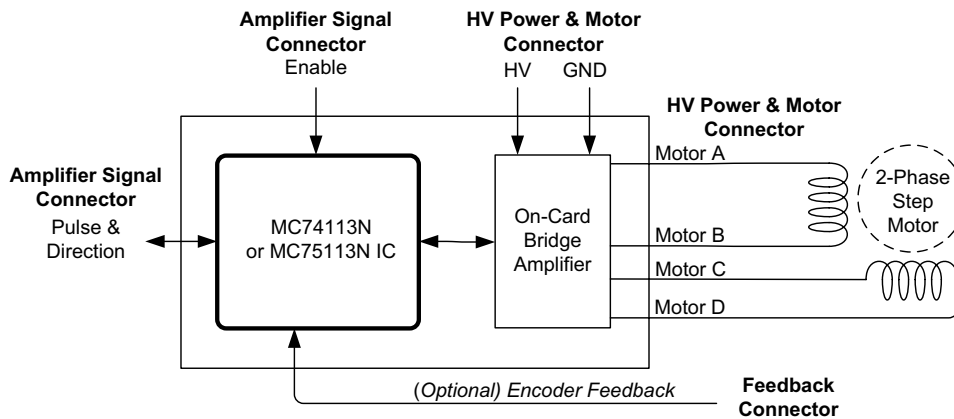


Figure 1-2:  
Step Motor  
Connection  
Overview

### 1.9.1 Encoder Feedback Connections

The following table summarizes the *encoder* signal connections to the DK74113N. All connections are made through the Feedback Connector (J3).

For reference, the following table provides the pinouts of the J3 terminal block connector.

Pin	Connection	Description
<b>J3 - Feedback Connector</b>		
1	Vcc	+5V output
2	GND	Ground
3	QuadA+	Quadrature A+ encoder input
4	QuadA-	Quadrature A- encoder input
5	QuadB+	Quadrature B+ encoder input
6	QuadB-	Quadrature B- encoder input
7	Index+	Index+ input
8	Index-	Index- input

#### 1.9.1.1 Single-ended Encoder Connections

Encoder inputs may be connected differentially, with two wires per signal (as shown in the table above), or with just one wire per signal. If single-ended encoders are used, connect encoder signals to the positive encoder input only. The negative input may remain unconnected.

## 1.9.2 Power & Motor Connections

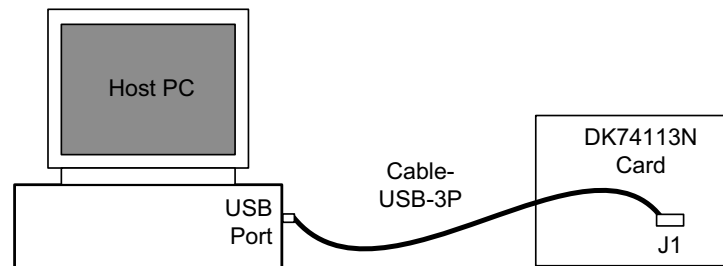
The HV voltage is the voltage at which the motor will be driven and must be in the range of +12V to +48V.

The following table summarizes the HV power and motor drive connections for the DK74113N.

Pin	Connection	Description
<b>J4 - HV Power Connector</b>		
1	HV	Provides DC power to the card and on-card switching amplifier
2	GND	Ground
3	Motor A	Motor output signal A+
4	Motor B	Motor output signal A-
5	Motor C	Motor output signal B+
6	Motor D	Motor output signal B-

## 1.9.3 Communication Connection

Figure 1-3:  
PC to  
DK74113N



Communication to the card is via a serial UART port.

A 3-pin cable for this purpose is included with the DK74113N. As shown in [Figure 1-3](#) this cable (PMD Corp. p/n Cable-USB-3P) should be connected to the DK74113N card's J1 Connector, while the opposite end of the cable should be connected to one of your computer's USB ports. When installing the cable at the DK card make sure the pin 1 orientation is correct. Refer to [Figure 1-1](#) and the cable body to ensure correct orientation.

## 1.10 Applying Power

Once you have made your motor hardware, communication, and power connections, hardware installation is complete and the card is ready for operation. When power is applied, the DK74113N's green power LED should light. This LED is labeled D5 in [Figure 1-1](#). If the LED does not light, re-check connections.

After power up no motor output will be applied. Therefore the motor should remain stationary. If the motor moves or jumps, power down the card and check the motor and encoder connections.

## 1.11 First-Time System Verification

The first time system verification procedure summarized below has two overall goals. The first is to connect the DK74113N card with the PC that is being used so that they are communicating properly, and the second is to initialize the axis and bring it under stable control capable of making controlled moves. While there are additional capabilities

that Pro-Motion and the DK74113N card provide, these steps will create a foundation for further exploration and development.

Here is a summary of the steps that will be used during first time system verification. Each of these steps will be described below in a separate manual section.

- 1 Initiate Pro-Motion and establish communication between the PC and the card using the USB to UART communications link.
- 2 Run Pro-Motion's Axis wizard to initialize parameters such as encoder direction and current loop parameters. As part of the axis wizard setup you will execute a simple profile demonstrating that your motor is operating correctly and under stable control.

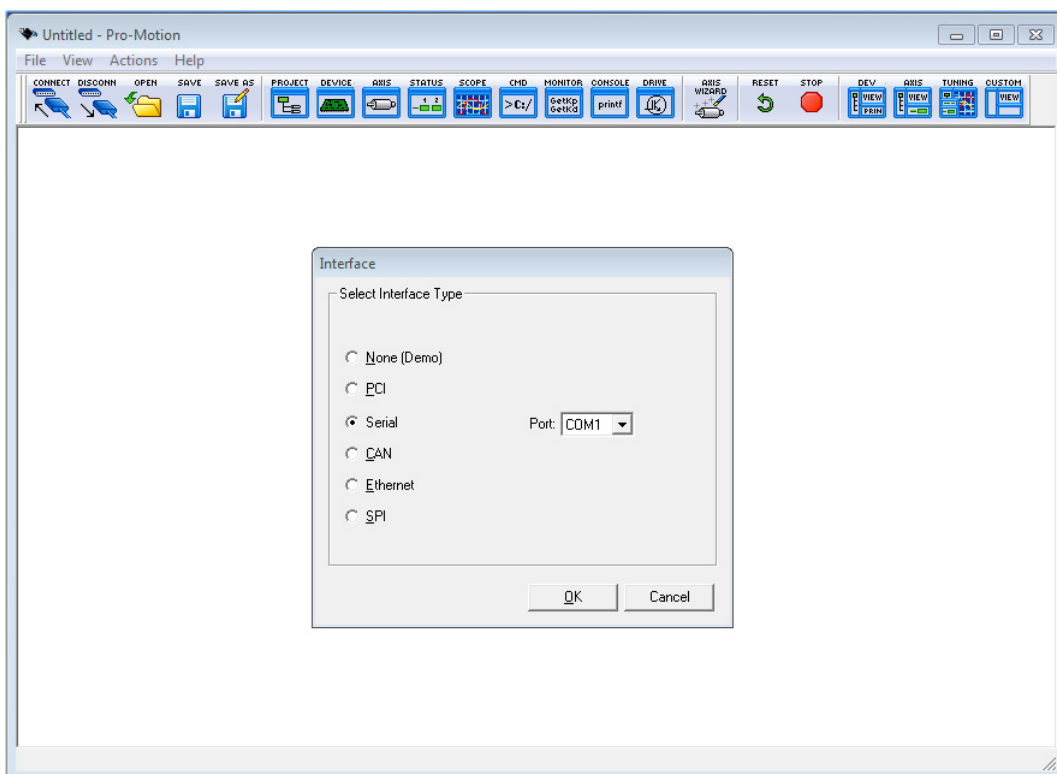
### 1.1.1.1 Establishing Serial Communications

To establish programming communications:

- 1 Make sure the DK74113N card is powered and connected to the PC via the 3-pin programming cable.
- 2 Launch the Pro-Motion application.

When Pro-Motion is launched you will be prompted with an Interface selection window. A typical screen view when first launching Pro-Motion appears below.

The purpose of the Interface dialog box is to indicate to Pro-Motion how your DK74113N card is connected to the PC.

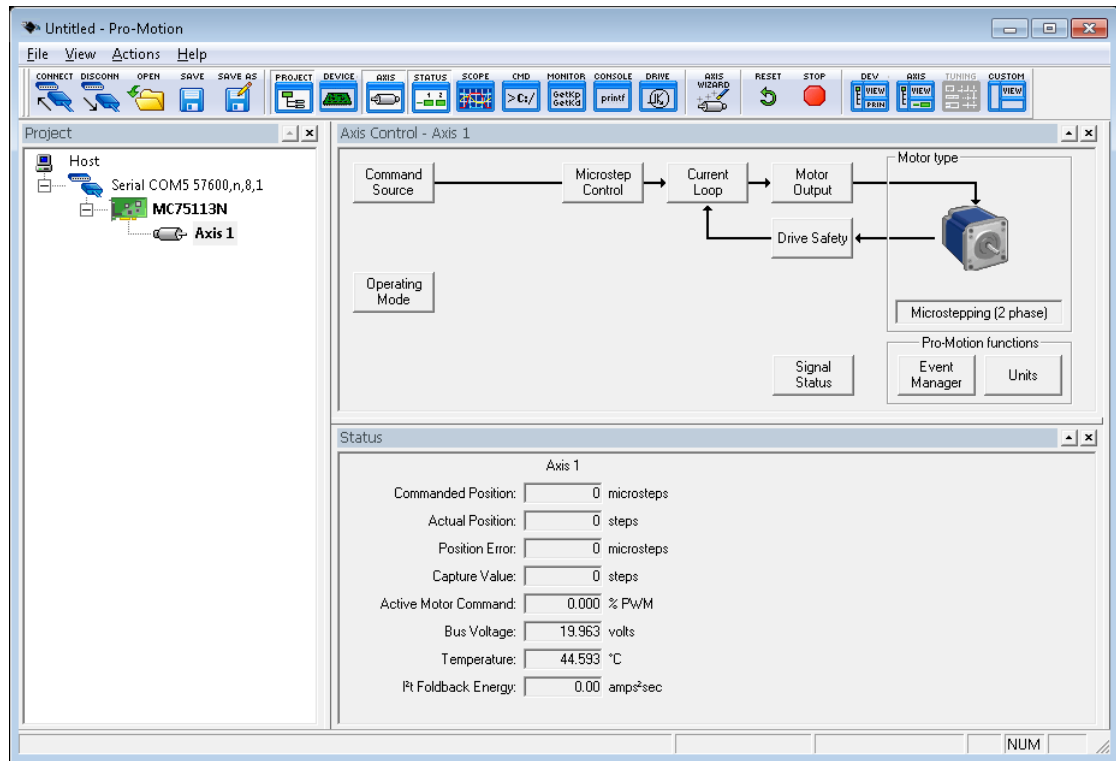


- 3 Click Serial, select the com port that the DK is connected to, and then click OK.

The Serial Port dialog box displays with default communication values of 57,600 baud, no parity, 1 stop bit, and point to point protocol.

- 4 Click OK without changing any of these settings.

If serial communication is correctly established, a set of object graphics loads into the Project window to the left, as shown in the following figure.



For example, you will see the MC74113N or MC75113N IC name next to an icon of a card, and below that you see an axis icon. Highlighting (single clicking) either the card icon or the axis icons with the mouse is used to select specific cards or axes, and is useful later on in the first time system verification.

If serial communications are not correctly established, a message appears indicating that an error has occurred. If this is the case, recheck your connections and repeat from step 1.

### 1.11.2 Initializing Motion Axis

The next step to verify the correct operation of the system is to initialize the axis, thereby verifying correct amplifier operation, encoder feedback connections (if an encoder is used), and other motion functions. All of this can be conveniently accomplished using Pro-Motion's Axis Wizard function.

To operate the Axis Wizard:

- 1 Select axis 1 to initialize in the Project window to the left of the screen.
- 2 With this icon highlighted, click the Axis Wizard toolbar button.



The Axis Wizard initialization window appears.



- 3 Click Next and follow the Axis Wizard instructions for each page of the axis initialization process.

A typical Axis Wizard sequence takes 3-5 minutes.

**Important!** In addition to application specific parameters, you will be prompted to enter various card-specific control parameters during Axis Wizard setup. These card-specific parameters can conveniently be selected as a group from within the Axis Wizard. It is highly recommended that you select use of the DK74113N default parameters.

Upon a normal completion of the AxisWizard the axis will be ready to make a controlled move.

The most common reasons for the Axis Wizard to not complete normally are an inability to auto-tune the motor. Should this happen, it is possible to perform a manual tuning or commutation setup if desired. Refer to the *Pro-Motion User Guide* for more information, or call PMD Corp. or your local PMD Corp. representative for technical assistance.

The Axis Wizard auto tuning routines are designed to provide stable, but not optimal, parameters for motion. Pro-Motion provides a wealth of functions including a high speed hardware trace oscilloscope that can assist you in determining optimal parameters. Values provided by the Axis Wizard during auto tuning may or may not be safe for your system, and it is up to the user to determine if and when they should be used.

- 4 The “Command Source and System Activation” screen, which is one of the last setup screens in the wizard, provides the opportunity to perform a simple profile move.

The Command Source and System Activation screen appears as follows.

To perform a simple move select the command source as profile generator, and from the “Internal Profile” section of this screen enter motion profiles for deceleration, acceleration, and velocity that are safe for your system and will demonstrate proper motion. Negative values of velocity will move the motor in the negative direction.



Pro-Motion provides various selectable units for distance and time, but defaults to microsteps for step motors for distance and seconds for time. This means the default units for velocity are counts/ sec, and the default units for acceleration and deceleration are counts/sec<sup>2</sup>. So for a 1.8° step motor that has 64 μsteps/full step to perform a symmetric trapezoidal move with a top speed of 5 rotations per second and with an acceleration time of two seconds, the parameters in the Command Source dialog box would be set as follows:

Deceleration: 32,000 μsteps/sec<sup>2</sup>

Acceleration: 32,000 μsteps/sec<sup>2</sup>

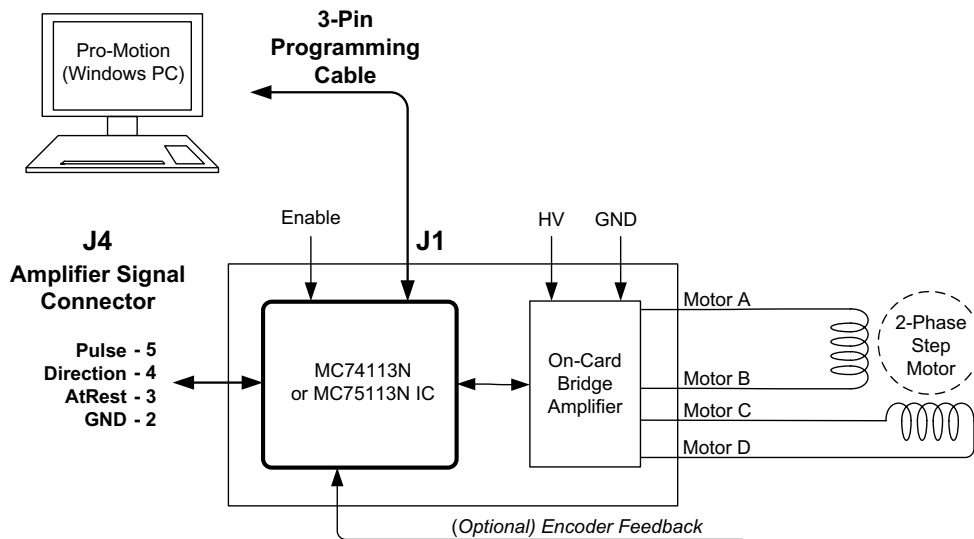
Velocity: 60,000 μsteps/sec

Click Go and confirm that the motion occurred in a stable and controlled fashion. To change the profile once moving simply enter new profile parameters. To stop motion click on the “Stop” button when it appears once motion is occurring.

- 5 When ready, select “Next” at the bottom of the screen and you will get to a screen called “Completing the Axis Wizard.” Click Finish with the “Save settings to file” checkbox checked. You will now be

prompted to specify a name of a project file. Choose a name that is convenient to you and select OK to store the configuration established during the Axis Wizard setup.

## 1.12 Pulse & Direction Operation



**Figure 1-4:**  
Pulse &  
Direction  
Amplifier  
Connections

The previous first time system verification section uses the Juno Step Motor Control IC's internal profile generator to generate motion of the step motor. This is convenient because it requires a minimum of external control signals, and allows motion speeds and direction to be controlled from the Pro-Motion exercisor program.

The most common control mode of the DK74113N however uses external pulse, direction, and (optional) at rest signals to control the motor motion. The external pulse & direction signals may be generated by a user-created motion controller, by an off-the-shelf third party motion controller, or by one of PMD Corp.'s motion controllers that generate pulse & direction output such as the Magellan MC50000 series chipset.

[Figure 1-4](#) shows a DK74113N driven by pulse & direction signals while being connected to Pro-Motion. This is a common and very useful way to use the DK74113N. In addition to setting the command source to pulse & direction, Pro-Motion can be used to monitor the controller performance, tune current loop parameters, and trace various system characteristics during your application development.

From Pro-Motion, to select pulse & direction as the command source for the MC74113N or MC75113N ICs, at the top of the "Command Source and System Activation" screen that you previously used to enter profile parameters, change the command source from profile generator to pulse & direction.

A command position register will now be displayed which holds the command position from the external pulse & direction signals. Once your external profile generator is active you should see this command position change.

You can also exercise the at rest signal if you have programmed separate drive current and holding current values and confirm that the polarity of the at rest signal is correct.

If any of these functions do not operate as expected recheck electrical connections and retry.

### 1.12.1 Restarting Pro-Motion

After first time verification is complete you may continue, in the same Pro-Motion session, to exercise your motion system or optimize control parameters as desired. Alternatively, whether immediately after additional interactions with Pro-Motion, you may wish to exit Pro-Motion for restart at a later time.

If you have changed additional control parameters and would like to save these parameters use File/Save Project As to save the current configuration to a file.

When restarting Pro-Motion it is important that you restore the configuration that you have saved, particularly the on-card amplifier limits and scale factors established during Axis Wizard setup. Do this by selecting File/Open Project, selecting the correct file previously stored.



Operation of the DK74113N without proper safety settings established during Axis Wizard operation may harm the DK74113N card or the application hardware. To avoid this be sure to restore saved control settings using the File/Open Project menu item before operating the DK74113N card.

### 1.12.2 Next Steps

In addition to managing configuration setup and storage Pro-Motion has extensive performance trace facilities that can be accessed from its main control windows along with other step motor control functions. You can use these facilities to further checkout and optimize your system's performance.

When ready, you can store the motor configurations you develop into named files, thereby making it easy to work on multi-motor systems with different motor and system control needs for various parts of the overall machine.

# 2. Operation

## In This Chapter

- DK74113N Block Diagram
- Communication Port
- Switching Motor Amplifier
- Drive Protection and Control Signals
- DC Bus
- Miscellaneous Signal Processing
- Pulse, Direction, & AtRest
- Enable & FaultOut
- On-IC NVRAM Configuration Storage

## 2.1 DK74113N Card Block Diagram

The DK74113N Developer Kit card provides a complete functioning MC74113N and MC75113N IC exerciser and development system. It directly interfaces to a host computer using USB to serial communication, and provides all power, motor drive, control, and feedback signals required to drive a step motor.

The DK74113N incorporates several major subsystems including the MC74113N or MC75113N ICs themselves, a high performance MOSFET-based motor amplifier, a DC Bus conditioning and monitoring system, and various other circuitry.

The following sections describe these major sections of the DK74113N card.

For a complete description of the MC74113N and MC75113N ICs, see the *Juno Step Motor Control IC User Guide*.

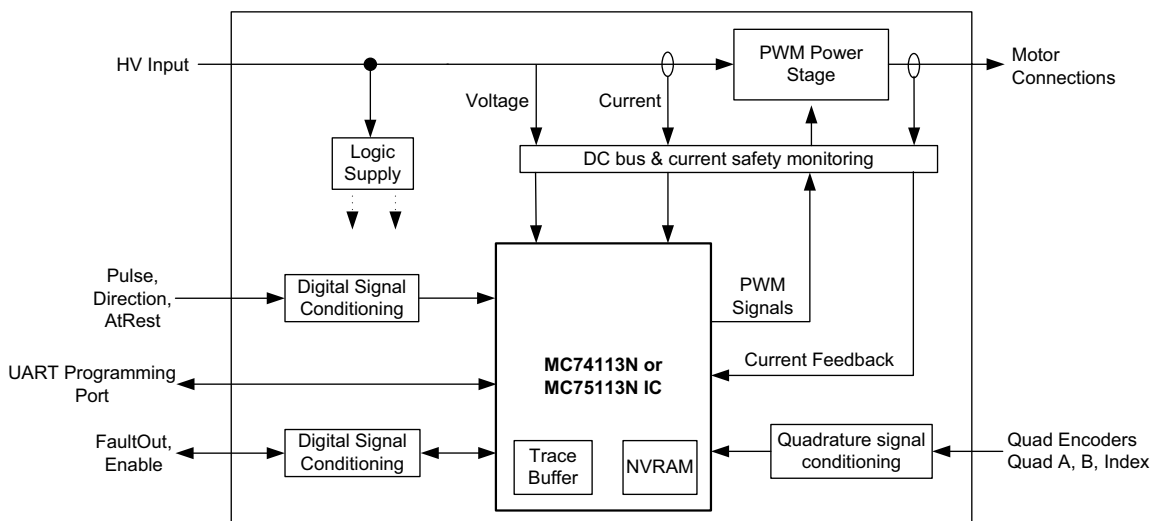


Figure 2-1: DK74113N Block Diagram

## 2.2 Communication Port

The DK74113N supports a UART serial interface via its J1 connector. This port is primarily used for setup of the MC74113N or MC75113N's control parameters.

All DK74113N communication functions are controlled by the MC74113N or MC75113N IC. For information on serial port function see the *Juno Step Motor Control IC User Guide*.

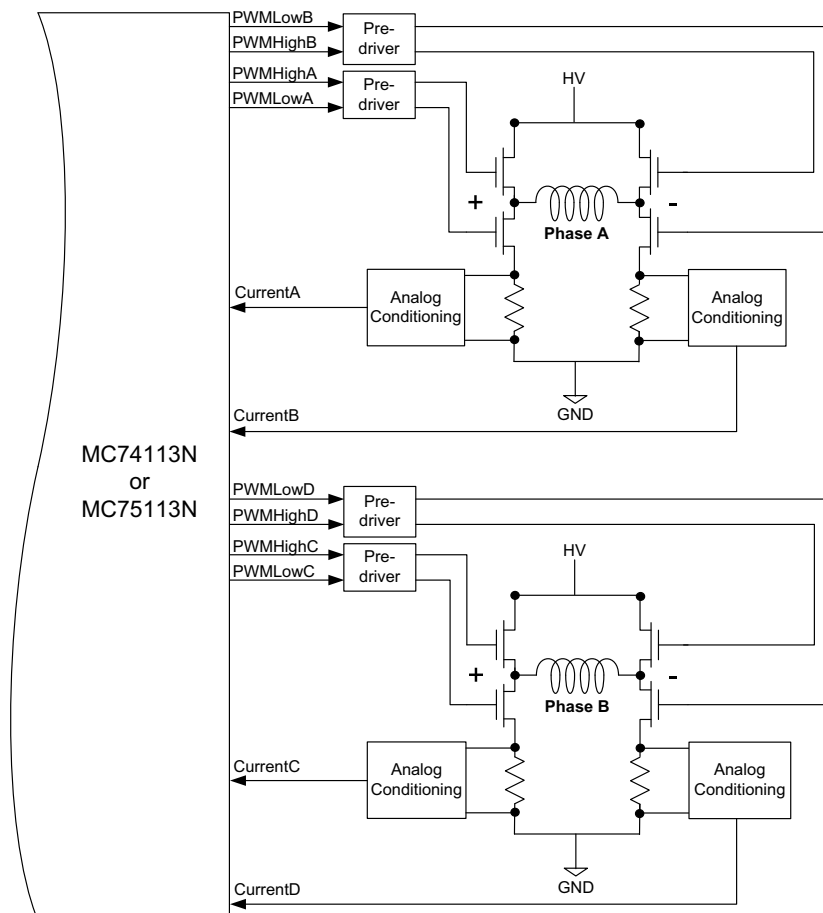
## 2.3 Switching Motor Amplifier

The DK74113N contains a high-efficiency MOSFET power stage with PWM input control and leg current feedback. Step motors are driven with two H-Bridges, one for each phase, for a total of 8 MOSFETs and 4 leg current sensors

### 2.3.1 Step Motor Drive

[Figure 2-2](#) shows the arrangement of the DK74113N's amplifier stage.

**Figure 2-2:**  
**Two-Phase**  
**Step Motor**  
**Bridge**  
**Configuration**



As shown in the table below eight PWM output signals and four analog feedback signals interface between the MC74113N IC or MC75113N and the DK74113N's switching amplifier.

Signal	Description
PWMHighA	Digital high side drive output for motor phase A, positive coil terminal
PWMLowA	Digital low side drive output for motor phase A, positive coil terminal
PWMHighB	Digital high side drive output for motor phase A, negative coil terminal
PWMLowB	Digital low side drive output for motor phase A, negative coil terminal
PWMHighC	Digital high side drive output for motor phase B, positive coil terminal
PWMLowC	Digital low side drive output for motor phase B, positive coil terminal
PWMHighD	Digital high side drive output for motor phase B, negative coil terminal
PWMLowD	Digital low side drive output for motor phase B, negative coil terminal
CurrentA	Analog input containing the current flow through the positive leg of phase A bridge
CurrentB	Analog input containing the current flow through the negative leg of phase A bridge
CurrentC	Analog input containing the current flow through the positive leg of phase B bridge
CurrentD	Analog input containing the current flow through the negative leg of phase B bridge

## 2.3.2 Amplifier-Related Settings

There are a number of MC74113N or MC75113N IC settings which are used to set or control various aspects of the DK74113N's on-card switching amplifier and related current sense circuitry.

The following table shows the default values and recommended (or required) settings for amplifier-related parameters:

Parameter	Value & Units	Comment
Motor Output Mode	PWM High/Low	Set the motor output mode to PWM High/Low for operation with the on-card amplifier.
PWM Switching Frequency	20 kHz	This setting is motor-specific. Higher inductance motors should be set for 20 kHz. Lower inductance motors may use 40, 80, or 120 kHz to reduce current ripple and minimize heat generation.
PWM Dead Time	540 nSec	For correct operation of the DK74113N's on-card switching amplifier this parameter must be set to this value.
PWM Refresh Time	2,000 nSec	To ensure sufficient time to recharge the on-card amplifier's high side switches this parameter must be set to this value.
PWM Refresh Period	8 cycles	To ensure sufficient time to recharge the on-card amplifier's high side switches this parameter must be set to this value.
PWM Signal Sense, high	Active High	For correct operation of the on-card amplifier all high PWM outputs must be set to active high.
PWM Signal Sense, low	Active Low	For correct operation of the on-card amplifier all low PWM outputs must be set to active low.

All of the DK74113N parameters described in this section can be specified using Pro-Motion via the Axis Wizard. See [Section 1.11, "First-Time System Verification"](#) for more information.

## 2.3.3 DK74113N Current Scale Value

To correctly control or trace motor current it is useful to know the DK74113N's amplifier-specific current conversion factor. The following table shows this:

Parameter	Value & Units	Comments
Leg Current Conversion	.733 mA/count	This value should be specified so that the motor current can be traced and displayed correctly in amps.

All of the DK74113N parameters described in this section can be conveniently specified using Pro-Motion via the Axis Wizard. See [Section 1.11, "First-Time System Verification"](#) for more information.

## 2.4 Drive Protection and Control Signals

### 2.4.1 I<sup>2</sup>t Current Foldback Protection

The MC74113N and MC75113N use current feedback to implement I<sup>2</sup>t current limiting. This feature protects the on-card amplifier by controlling its ability to operate above specific selected continuous current ratings.

When the current loop is enabled and the I<sup>2</sup>t energy limit is exceeded, the MC74113N and MC75113N will automatically fold back the phase currents to a user programmable continuous current limit value. Alternatively, the MC74113N and MC75113N can be configured to fault and disable the output stage when the I<sup>2</sup>t energy limit is exceeded.

#### 2.4.1.1 I<sup>2</sup>t Limits

To safely operate the on-card amplifier it is necessary to specify I<sup>2</sup>t limits.

Parameter	Value & Units	Comments
Step motor: Foldback Continuous Current Limit	10.0 A	This value should be entered to ensure the on-card amplifier does not operate above the maximum safe current output.
Step motor: Foldback Maximum Energy Limit	50 A <sup>2</sup> sec	This value should be entered to ensure the on-card amplifier does not operate above the maximum safe current output.

For use with motors that have current and energy limits lower than those specified above, it may be useful to reduce these parameters.



These limits are designed to be safe for operation of the DK74113N's on-card amplifier when cooled with a 110 CFM (or higher) fan and with an ambient room temperature of 25 degrees C. For use without a fan, or in higher ambient temperature environments, these values should be lowered.

If special heatsinking is used the DK74113N card is capable of driving motors at 14 amps continuously or higher, in which case these limits can be increased. Contact PMD Corp. for details.



It is the responsibility of the user to set the Foldback Continuous Current and Foldback Energy Limit parameters to values that are safe for the DK74113N heat sinking scheme and motor setup being used.

All of the parameters described in this section can be conveniently specified using Pro-Motion via the Axis Wizard. See [Section 1.11, "First-Time System Verification"](#) for more information.



## 2.5 DC Bus

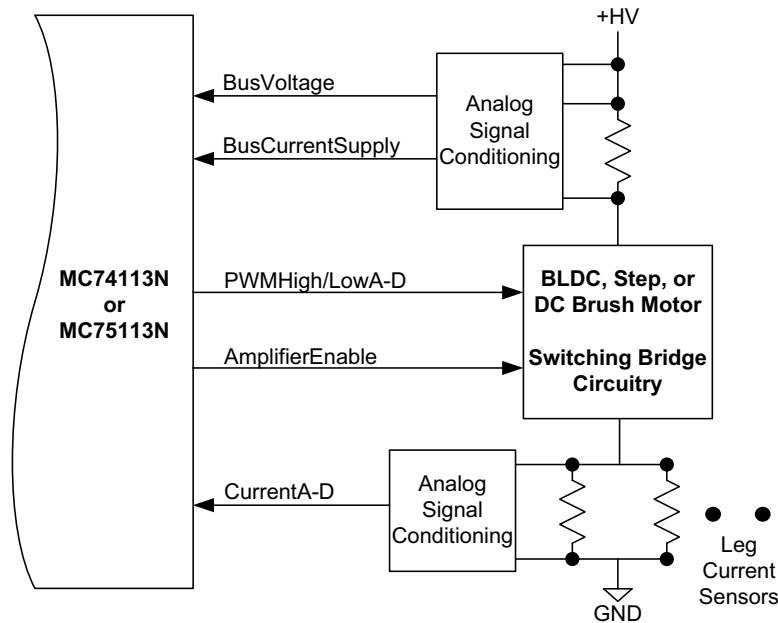


Figure 2-3:  
DC Bus  
Monitoring  
Circuitry

Figure 2-3 shows the DC bus monitoring circuitry used with the DK74113N card. This circuitry is designed to work with the MC74113N and MC75113N’s DC bus management and protection logic. These functions include overcurrent protection, over and under voltage detection, and ground fault detection.

### 2.5.1 DC Bus Current Monitoring

DK74113N monitors both the supply and return DC bus current to detect overcurrent conditions including: line-to-line, line-to-power supply, and line-to-ground short circuits.

#### 2.5.1.1 DC Bus Current Monitoring Scale Values

The following DC bus current monitoring scale values for the DK74113N card are required to correctly operate the DC bus current monitoring functions:

Parameter	Value & Units	Comments
Leg current return conversion	.733 mA/count	This value should be entered so that the DC bus current return can be traced and displayed correctly in amps.

#### 2.5.1.2 DC Bus Current Limits

The following DC bus current limits are required to safely operate the DK74113N card:

Parameter	Value & Units	Comments
Bus Current Return Limit	23 A	This value should be entered to ensure safe operation of the DK74113N.

Note that these values are designed to protect the DK74113N circuitry. Lower values may be used to protect the motor.

All of the parameters described in this section can be conveniently specified using Pro-Motion via the Axis Wizard. See [Section 1.11, “First-Time System Verification”](#) for more information

## 2.5.2 DC Bus Voltage Monitoring

DK74113N monitors the main DC bus voltage for overvoltage and undervoltage conditions. These thresholds are user-settable within the voltage operating range of the drive.

### 2.5.2.1 DC Bus Voltage Monitoring Scale Values

To correctly monitor the DC bus voltage it is necessary to know the DC bus voltage scale factor. The following table provides this value.

Parameter	Value & Units	Comments
Bus Voltage Display	1.424 mV/count	This value should be entered so that the DC bus voltage can be traced and displayed correctly in volts.

### 2.5.2.2 DC Bus Voltage Limits

The following DC bus voltage limits are required to safely operate the DK74113N card:

Parameter	Value & Units	Comments
Undervoltage Limit	10.0 V	This value should be entered to ensure safe operation of the DK74113N.
Overvoltage Limit	52.0 V	This value should be entered to ensure safe operation of the DK74113N.

Note that these values are designed to protect the DK74113N circuitry. More restrictive values may be used to protect the motor.

All of the parameters described in this section can be conveniently specified using Pro-Motion via the Axis Wizard. See [Section 1.11, “First-Time System Verification”](#) for more information.

## 2.6 Miscellaneous Signal Processing

The following sections detail the signal processing circuitry provided by the DK74113N card for various signal connections.

### 2.6.1 Encoder Inputs

The DK74113N's encoder input signals provide processing of quadrature encoder A, B feedback along with an Index signal. By default a valid index is recognized when Index is low however the interpretation of this signal as well as the A, B quadrature signals can be user programmed.

The differential input circuitry for the encoder A, B and Index signals is shown in [Figure 2-4](#). This circuit accepts both differential and single-ended signals in the range of 0 – 5 V. For single-ended operation, only the positive connection is used and the negative connection is left unconnected.

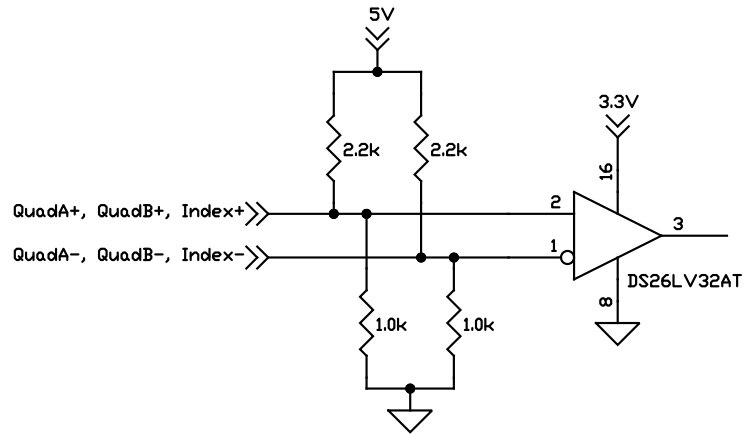


Figure 2-4:  
Main Encoder  
Input Circuits

## 2.7 Pulse, Direction, & AtRest

Pulse & Direction are digital input signals that provide a continuous command position to the DK74113N IC. The AtRest signal, if used, indicates whether the active torque level should be used or the lower holding torque level. By default a step occurs when the Pulse signal transitions from high to low, a high level on the Direction signal indicates a move in the positive direction, and a high level on the AtRest signal indicates the axis is at rest. All of these default signal interpretations can be user programmed.

[Figure 2-5](#) shows the input processing provided by the DK card for Pulse, Direction and AtRest signals. For all of these signals the input range is up to 5.5V and is TTL compatible.

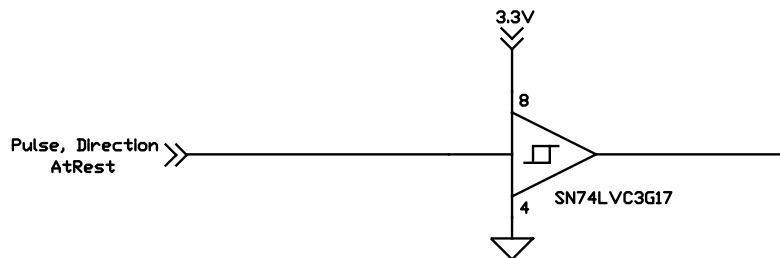


Figure 2-5:  
Pulse,  
Direction, &  
AtRest

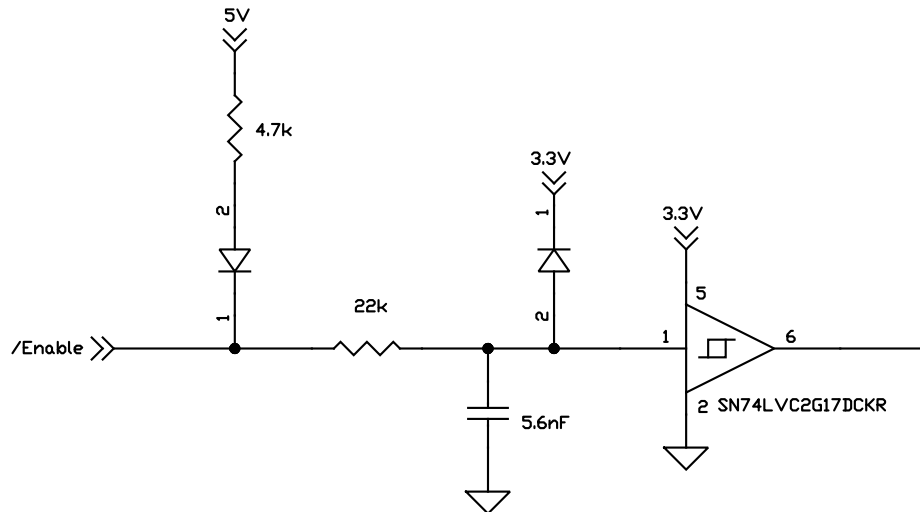
## 2.8 Enable & FaultOut

These dedicated signals are typically used to implement a safety interlock between the DK74113N card and other control portions of the system. /Enable is an active-low input that must be tied or driven low for the DK74113N output stage to be active.

FaultOut indicates a serious problem. When DK74113N is operating properly FaultOut is inactive. The polarity of this signal is fixed and cannot be user programmed.

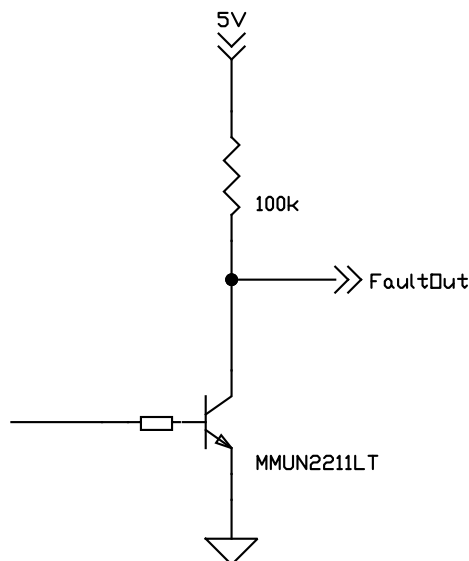
The input buffer for the /Enable input is shown in [Figure 2-6](#). This circuit accepts signals in the range of 0 – 24 V and has TTL compatible, Schmitt trigger thresholds. It has a pull-up to 5V to allow direct interfacing to open collector enable sources without the need for an external pull-up resistor and a 1.3 kHz R-C low pass filter to reject noise.

**Figure 2-6:  
Enable Input  
Circuit**



The output driver for FaultOut is shown in [Figure 2-7](#). This circuit can continuously sink over 100 mA and source 4mA from a pull-up resistor to 5V. The diode in series with the pull-up resistor allows loads powered from up to 24 VDC to be switched. The FET driver is internally protected from shorts up to 30 V.

**Figure 2-7:  
FaultOut  
Circuit**



## 2.9 On-IC NVRAM Configuration Storage

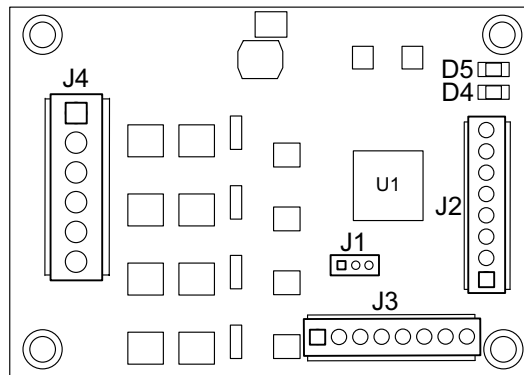
The MC74113N and MC75113N ICs provide the ability to directly store configuration information such as gain parameters, drive-related safety parameters, and other parameters. This setup information, once loaded, is automatically initialized into the active configuration registers at each power-up. See the *Juno Step Motor Control User Guide* for more information.

# 3. Electrical Reference

## In This Chapter

- ▶ Connectors
- ▶ Motor Connection Quick Reference
- ▶ Absolute Maximum Ratings
- ▶ Environmental and Electrical Ratings
- ▶ DK74113N Control Settings Quick Reference

## 3.1 Connectors



**Figure 3-1:**  
DK74113N  
Card  
Component  
Location

There are four user-accessible connectors on the DK74113N card. See [Figure 3-1](#) for the specific locations of the connectors on the card. The connectors and their functions are outlined in the following table:

Label	Description
J4	HV Power & Motor Drive Connector
J3	Feedback Connector
J2	Amplifier Signal Connector
J1	UART Programming Port
D4 & D5	Fault and power LED indicators (respectively)

### 3.1.1 HV Power & Motor Drive Connector (J4)

The DK74113N connector (J4) accepts HV input voltage in the range of +12 to 48 VDC and also provides the step motor winding connections. This connector is a terminal block.

Pin	Connection	Description
<b>J4 - HV Power Connector</b>		
1	HV	Provides DC power to the card and on-card switching amplifier
2	GND	Ground
3	Motor A	Motor output signal A+
4	Motor B	Motor output signal A-
5	Motor C	Motor output signal B+
6	Motor D	Motor output signal B-

### 3.1.2 Feedback Connector (J3)

The Feedback Connector (J3) provides connections to the motor encoder. The Feedback Connector consists of a 2.54 mm pitch 8-circuit terminal block.

Pin	Connection	Description
<b>J3 - Feedback Connector</b>		
1	Vcc	+5V output
2	GND	Ground
3	QuadA+	Quadrature A+ encoder input
4	QuadA-	Quadrature A- encoder input
5	QuadB+	Quadrature B+ encoder input
6	QuadB-	Quadrature B- encoder input
7	Index+	Index+ input
8	Index-	Index- input

#### 3.1.2.1 Notes on Encoder Connections

Encoder inputs may be connected differentially, with two wires for QuadA, QuadB, and Index signals, or with just one wire per signal. If single-ended encoders are used, connect encoder signals to the positive encoder input only. The negative input may remain unconnected.

The following tables show this:

Encoder connections when using differential encoder input:

Signal	J3 Feedback Connector
QuadA+	J3-3
QuadA-	J3-4
QuadB+	J3-5
QuadB-	J3-6
Index+	J3-7
Index-	J3-8
Vcc	J3-1
GND	J3-2

Encoder connections when using single-ended encoder input:

Signal	J3 Feedback Connector
QuadA+	J3-3
QuadB+	J3-5

Signal	J3 Feedback Connector
Index+	J3-7
Vcc	J3-1
GND	J3-2

### 3.1.3 Amplifier Signal Connector (J2)

The Amplifier Signal Connector provides the Pulse, Direction, and AtRest inputs along with an Enable input and the FaultOut. This connector is a 2.54 mm pitch 8-circuit terminal block.

Pin	Signal	Description
<b>J2 - Amplifier Signal Connector</b>		
1	Vcc	+5V output
2	GND	Ground
3	AtRest	AtRest input signal
4	Direction	Direction input signal
5	Pulse	Pulse input signal
6	GND	Ground
7	FaultOut	Active high digital FaultOut output signal
8	Enable	Active low Enable digital input signal

## 3.2 Absolute Maximum Ratings

HV voltage range:	0V to +52V
-------------------	------------

## 3.3 Environmental and Electrical Ratings

Storage temperature:	-40 to +125 degrees C (-40° F to +257°F)
Operating temperature:	0 to +70 degrees C (32° F to +158°F)
HV power requirement:	+12V to + 48V operating range
Motor amplifier continuous current limit*:	10.0 A
Motor amplifier peak current limit:	14.0 A
Digital input voltage range:	0V to 5V, TTL thresholds

\* Current rating at 25 C ambient and with 110 CFM air flow on card. Significantly higher currents are possible with additional heat sinking. Contact your PMD Corp. representative for details.

## 3.4 DK74113N Control Settings Quick Reference

The DK74113N comes with a standard MC74113N or MC75113N IC, and is thus not tailored for the amplifier and safety-related circuitry located on the DK74113N card. Therefore to use the DK74113N circuitry safely and to view results conveniently via Pro-Motion you will need to set various limits and conversion constants.

These parameters are generally entered when using Pro-Motion's Axis DK74113N setup sequence, however they are also useful if you decide to write your own software that operates the DK74113N card.

Parameter	Value & Units	Comments
Motor Output Mode	PWM High/Low	Set the motor output mode to PWM High/Low for operation with the on-card amplifier. For remote amplifier control operation PWM High/Low, 50/50 PWM, or sign/magnitude PWM may be selected.
PWM Switching Frequency	20 kHz	This setting is motor-specific. Larger motors (some NEMA 23 and most NEMA 34) should be set for 20 kHz. Smaller motors may use 40, 80, or 120 kHz to maximize current control accuracy and minimize heat generation.
PWM Dead Time	540 nsec	For correct operation of the DK74113N's on-card switching amplifier this parameter must be set to this value.
PWM Refresh Time	2,000 nSec	To ensure sufficient time to recharge the on-card amplifier's high side switches this parameter must be set to this value.
PWM Refresh Period	8 cycles	To ensure sufficient time to recharge the on-card amplifier's high side switches this parameter must be set to this value.
PWM Signal Sense, high	Active High	For correct operation of the on-card amplifier all high PWM outputs must be set to active high.
PWM Signal Sense, low	Active Low	For correct operation of the on-card amplifier all low PWM outputs must be set to active low.
Leg Current Conversion	.733 mA/count	This value should be entered so that the leg current can be traced and displayed correctly in amps.
Step Motor: Foldback Continuous Current Limit	10.0 A	This value should be entered to ensure the on-card amplifier does not operate above the maximum safe current output.
Step Motor: Foldback Maximum Energy Limit	50 A <sup>2</sup> sec	This value should be entered to ensure the on-card amplifier does not operate above the maximum safe current output.
Temperature Limit	75.0 C	This value should be entered to ensure the on-card amplifier does not operate above the maximum safe current output.
Bus Current Return Limit	23 A	This value should be entered to ensure safe operation of the DK74113N.
Bus Voltage Display	1.424 mV/count	This value should be entered so that the DC bus voltage can be traced and displayed correctly in volts.
Undervoltage Limit	10.0 V	This value should be entered to ensure safe operation of the DK74113N.
Overvoltage Limit	52.0 V	This value should be entered to ensure safe operation of the DK74113N.



All of the above settings may be selected at once via the Pro-Motion Axis wizard by specifying that you are using the DK74113N card.